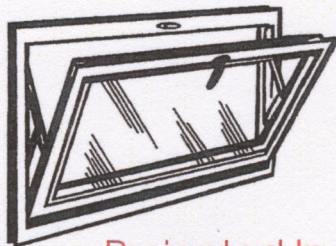


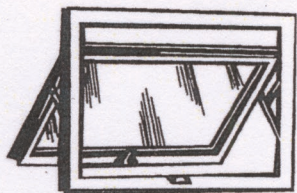
LGM INDUSTRIES



Fixed Lite
Over Projected



Projected In



Projected Out



Casement

Standard Features:

- Cam Handle Locks
- 1", 1/4", 9/16" Glazing
- Heavy Duty 4-Bar Hinge
- Heavy Duty Weather-Stripping
- Self Mulling Units

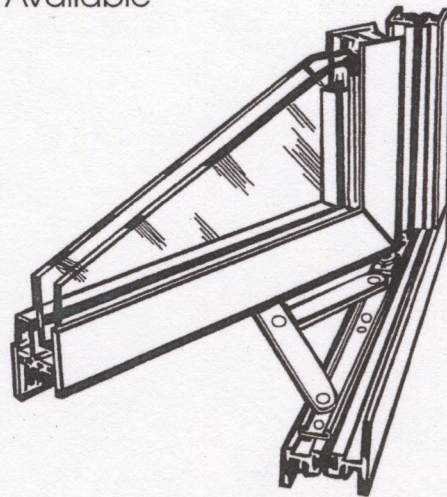
Standard Finishes:

- Clear Anodized
- Bronze Anodized
- Standard White Paint
- All Custom Colors Available

Optional:

- Egress Hinges
- Janitorial Locks
- Push Bars
- Roto Operators
- Screens
- Receptor
- Snap Trim
- True Divided Lites
- Installation Clips

HC80



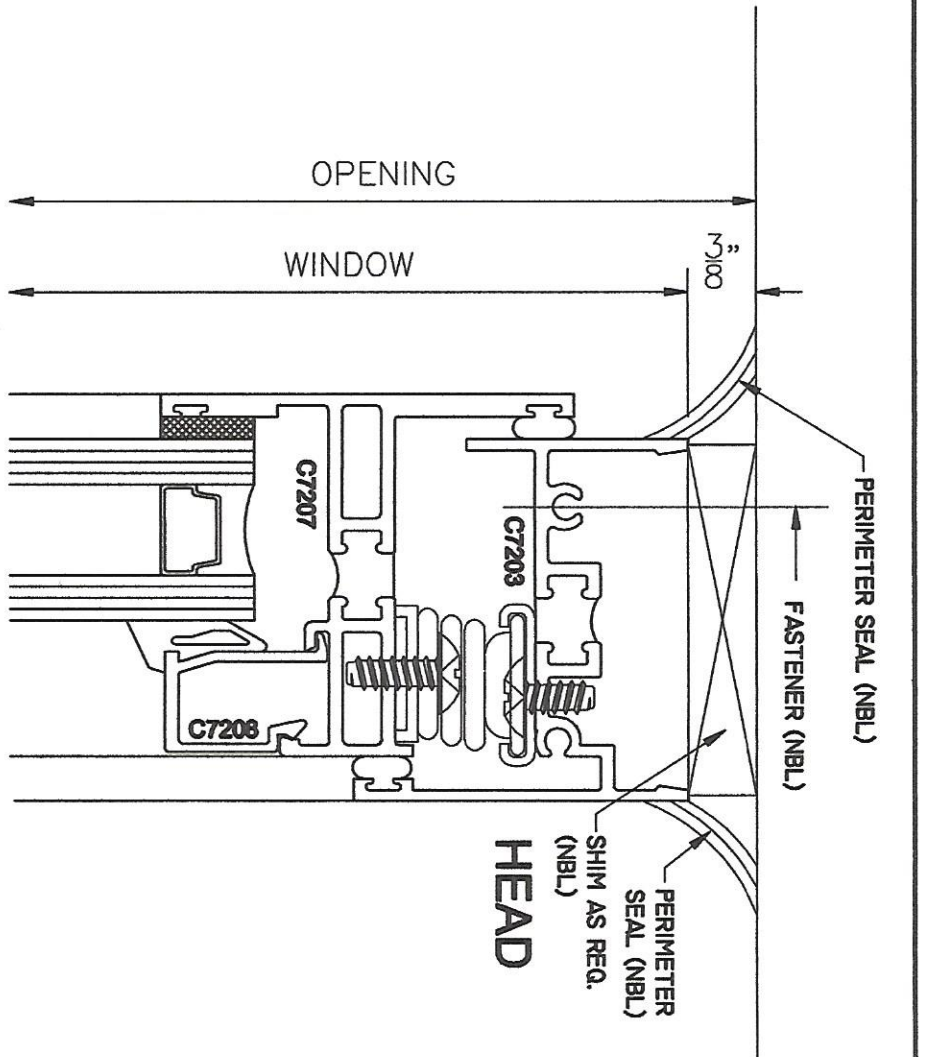
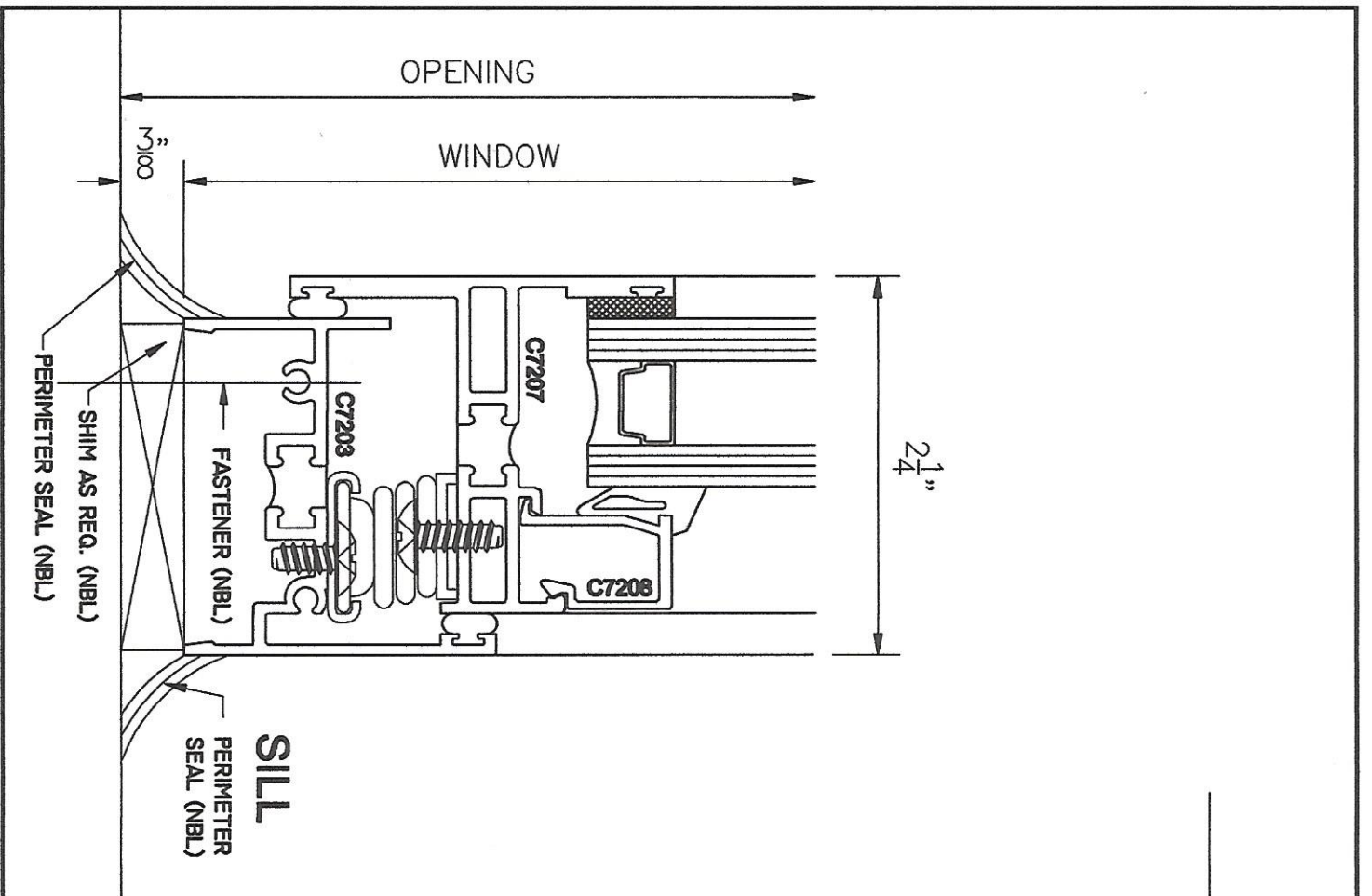
Liberty Glass and Metal Industries

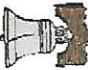
339 Riverside Drive

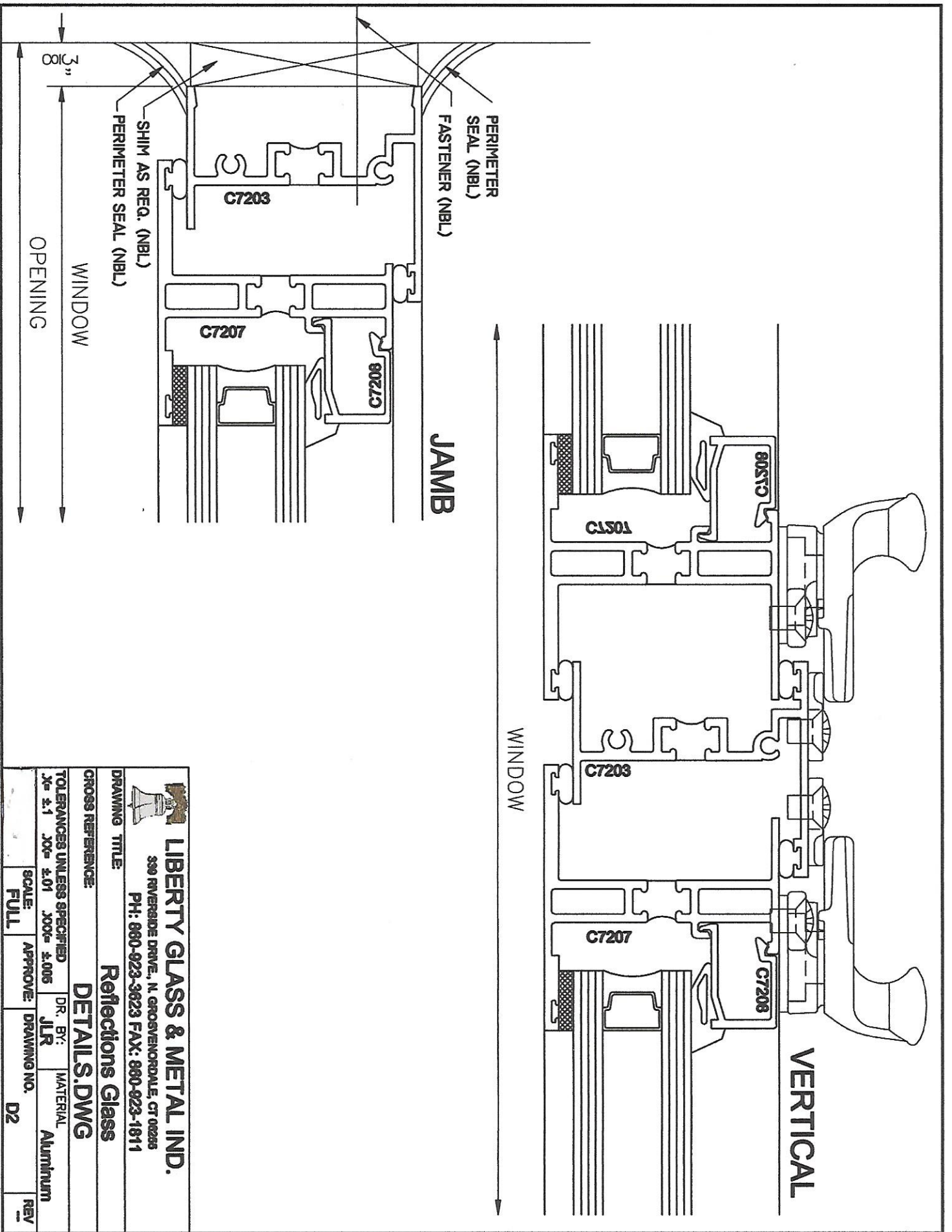
North Grosvenordale, CT 06255

1-800-843-2031 • Fax: 860-923-9662

www.libertywindowsystems.com



 LIBERTY GLASS & METAL IND. 390 RIVERSIDE DRIVE, N. GROVEHURDLE, CT 06236 PH: 860-923-3823 FAX: 860-923-1811	
DRAWING TITLE: Reflections Glass	
GROSS REFERENCE: DETAILS.DWG	
TOLERANCES UNLESS SPECIFIED X ^o ±.1 XX ^o ±.01 XXX ^o ±.006	
SCALE: FULL	DR. BY: JLR
APPROVE: _____	MATERIAL: Aluminum
DRAWING NO. D1	REV _____



LIBERTY GLASS & METAL IND.
 399 RIVERSIDE DRIVE, N. GROSVENORDALE, CT 06266
 PH: 860-923-3623 FAX: 860-923-1811

Reflections Glass
DETAILS.DWG

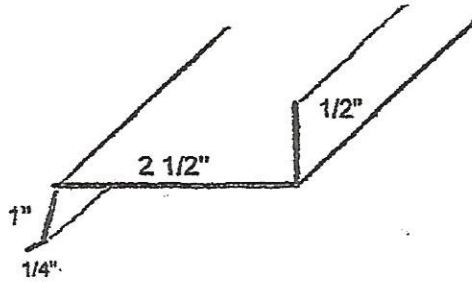
DRAWING TITLE:		DR. BY:		MATERIAL	
GROSS REFERENCE:		JLR		Aluminum	
TOLERANCES UNLESS SPECIFIED		SCALE:		APPROVE:	
X= ±.1 Xx= ±.01 Xxx= ±.005		FULL		DRAWING NO. D2	
				REV	



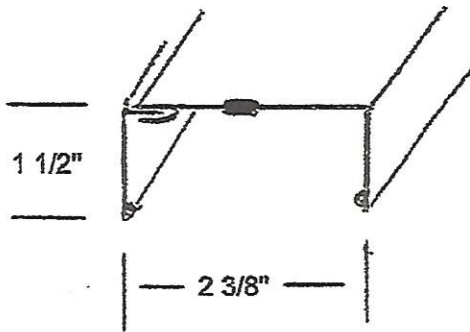
Liberty Glass & Metal Ind.

339 Riverside Dr
North Grosvenordale, CT 06255
800-843-2031
Fax: 860-923-9662

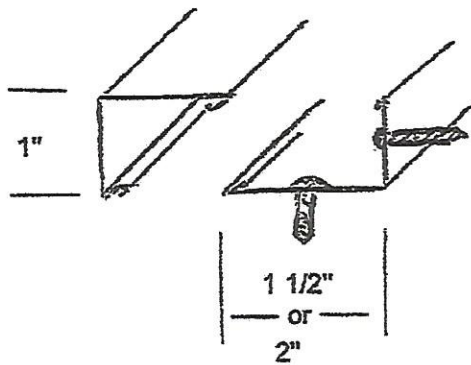
series 7200 commercial windows
fastener options



Custom Sub Sill



2 piece Head Receptor



Interior Trim and Clip
fastener to frame

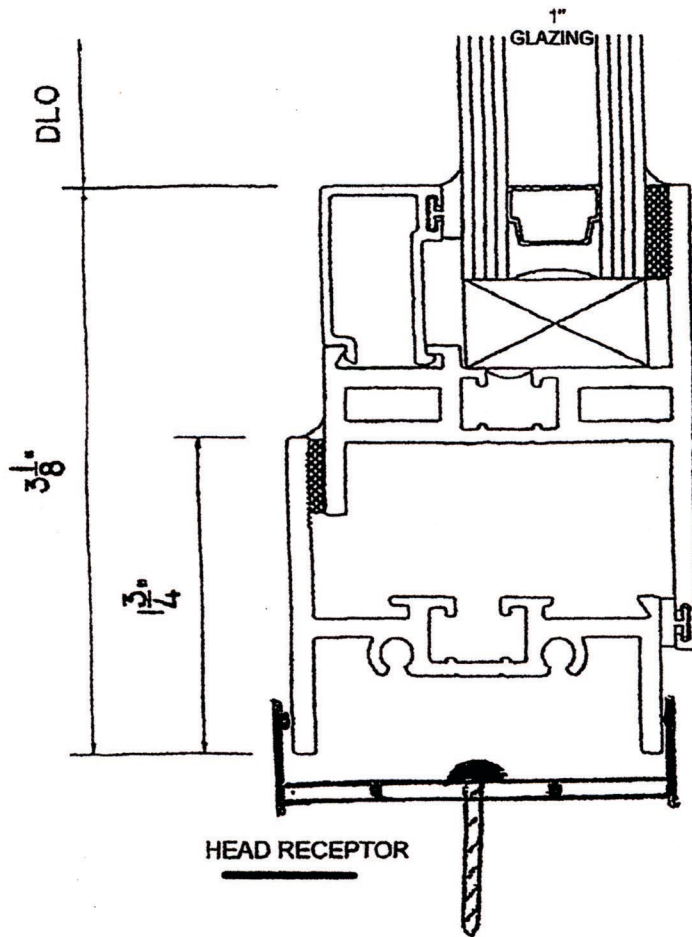


Liberty Glass & Metal Ind.

339 Riverside Dr
North Grosvenordale, CT 06255
800-843-2031
Fax: 860-923-9662

7200 SERIES COMMERCIAL WINDOW
FULL SCALE

HEAD RECEPTOR



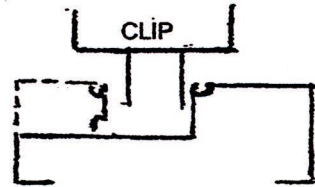
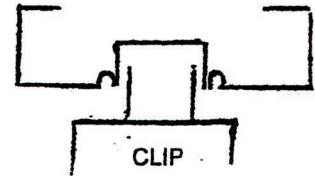
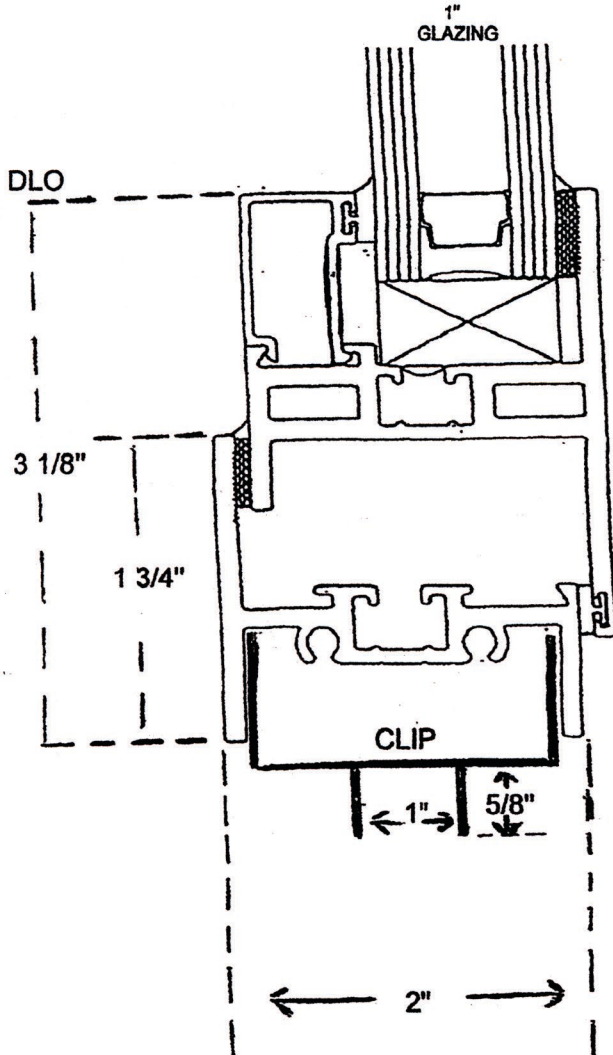
PROJECT-IN SASH
OVER SILL
FIXED SASH



Liberty Glass & Metal Ind.

339 Riverside Dr
 North Grosvenordale, CT 06255
 800-843-2031
 Fax: 860-923-9662

7200 SERIES COMMERCIAL WINDOW
 NOT TO SCALE
 CLIP SYSTEM



2" X 4"	
CENTER GLAZE	
Illustration	Part Number
	E 14141
	E 14140
	E 14104
	E 14103
	E 14142
	E 1400

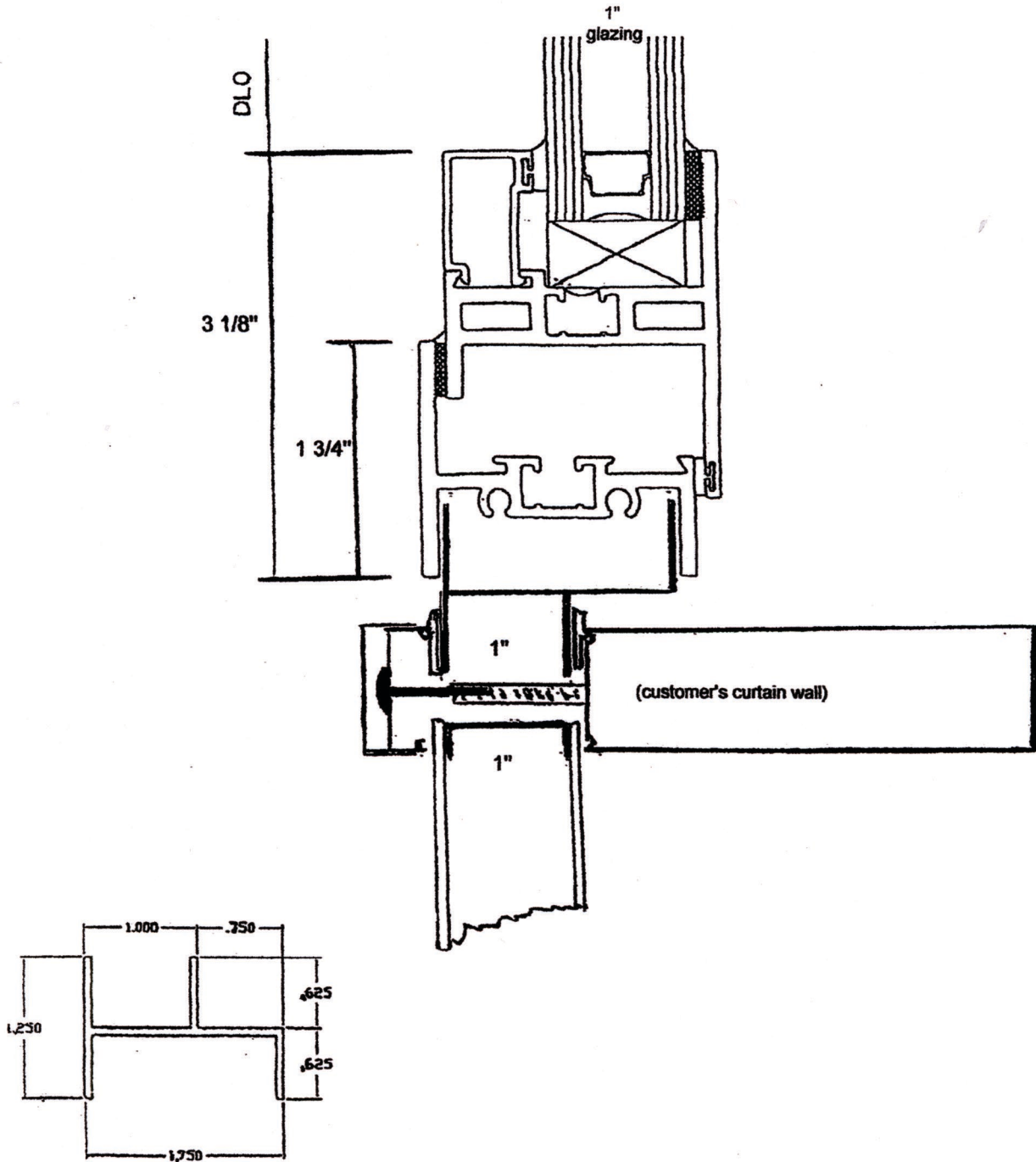


Liberty Glass & Metal Ind.

339 Riverside Dr
North Grosvenordale, CT 06255
800-843-2031
Fax: 860-923-9662

7200 series commercial window
full scale

Installation in Curtain Wall

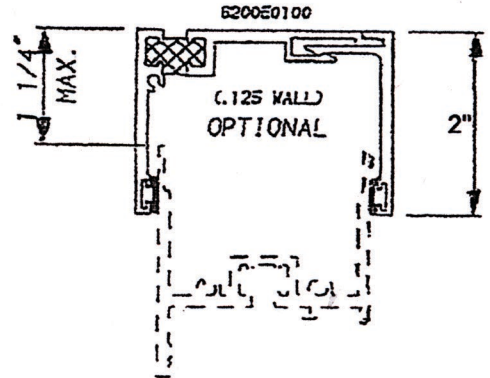
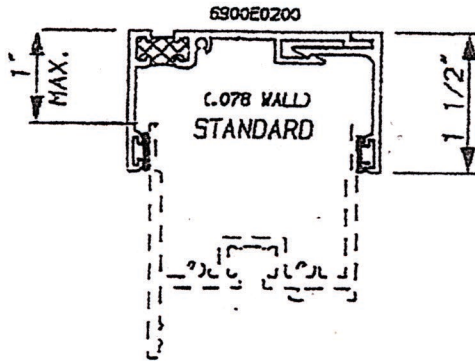




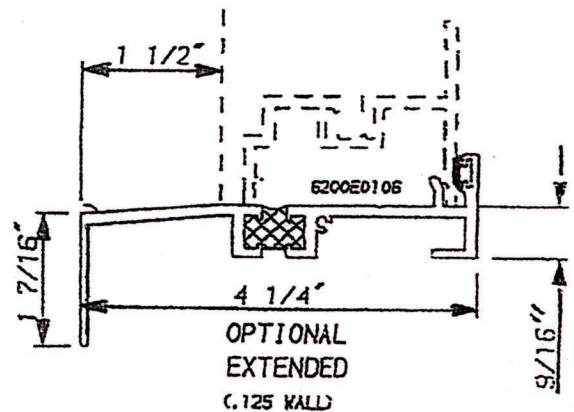
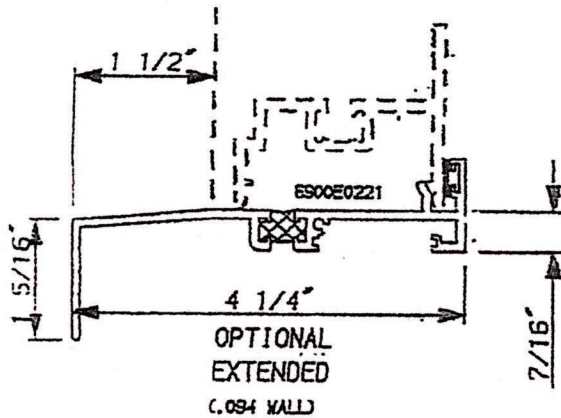
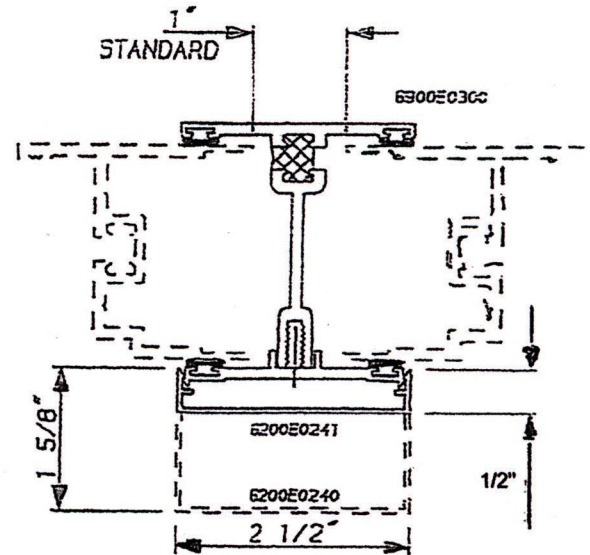
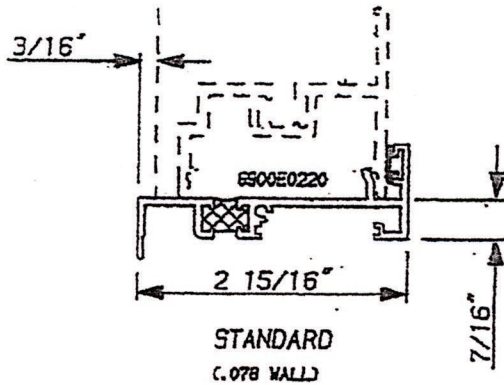
Liberty Glass & Metal Ind.

339 Riverside Dr
North Grosvenordale, CT 06255
800-843-2031
Fax: 860-923-9662

series 7200 commercial window
1/2 to scale



NOTE: MUST USE PERIMETER FRAME IN RECEPTORS
AND "T" MULLS.



NOTE: MUST USE FEMALE OR FEMALE SLIP FRAME
WITH SILL STARTERS.

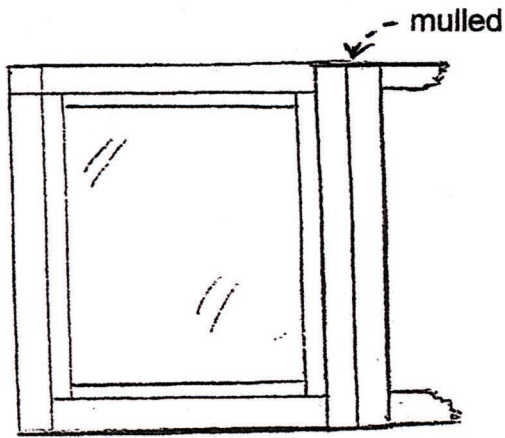
(1/2 SCALE)



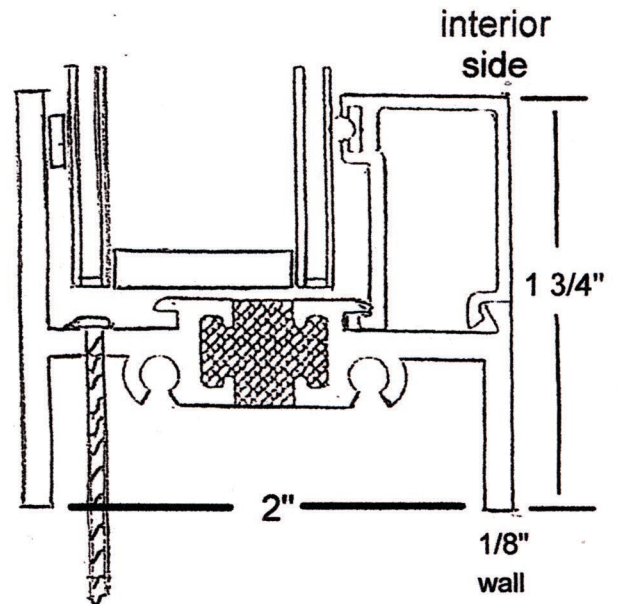
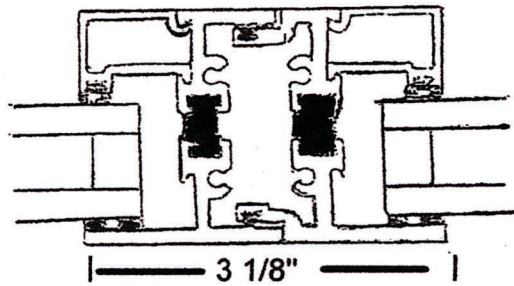
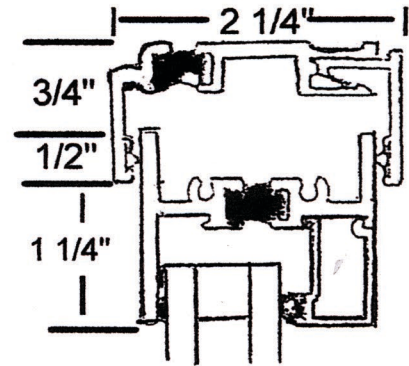
Liberty Glass & Metal Ind.

339 Riverside Dr
North Grosvenordale, CT 06255
800-843-2031
Fax: 860-923-9662

series 7200 commercial window
fixed frames
not to scale



2"



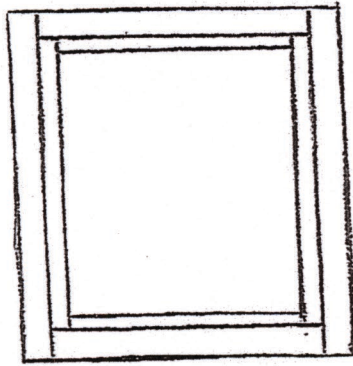


Liberty Glass & Metal Inc.

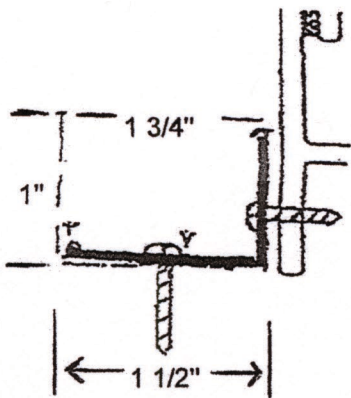
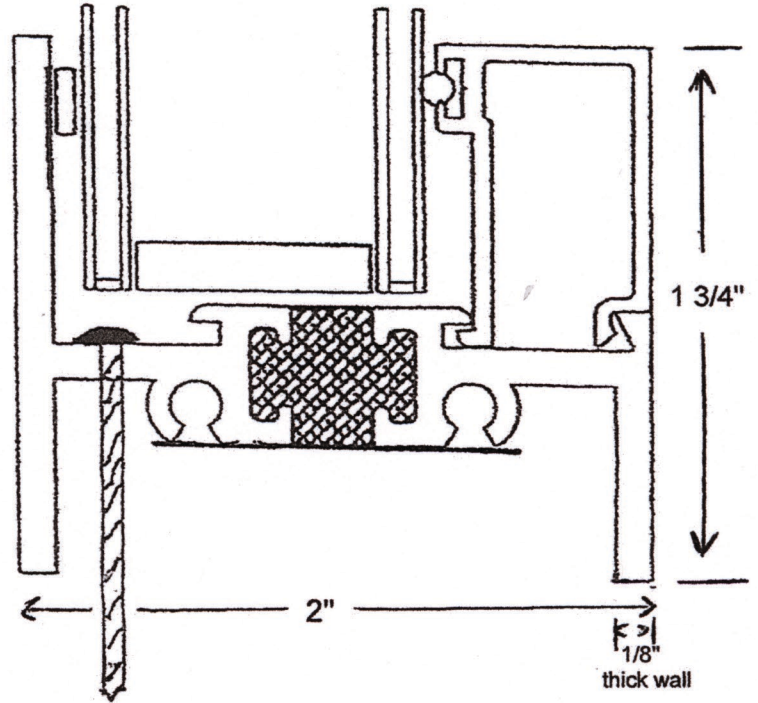
339 Riverside Dr
North Grosvenordale, CT 06255
800-843-2031
Fax: 860-923-9662

7200 series commercial window
not to scale

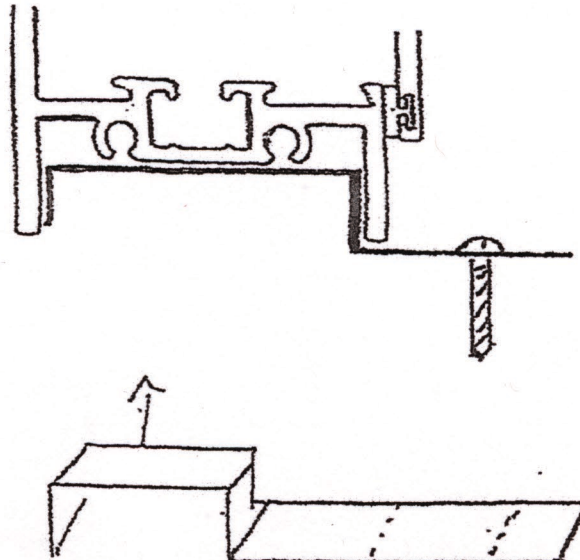
FASTENERS



2" SYSTEM



#S13530
die #





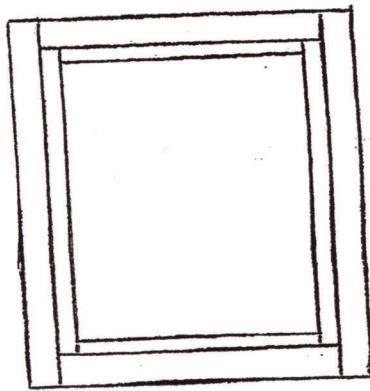
Liberty Glass & Metal Ind.

339 Riverside Dr
North Grosvenordale, CT 06255
800-843-2031
Fax: 860-923-9662

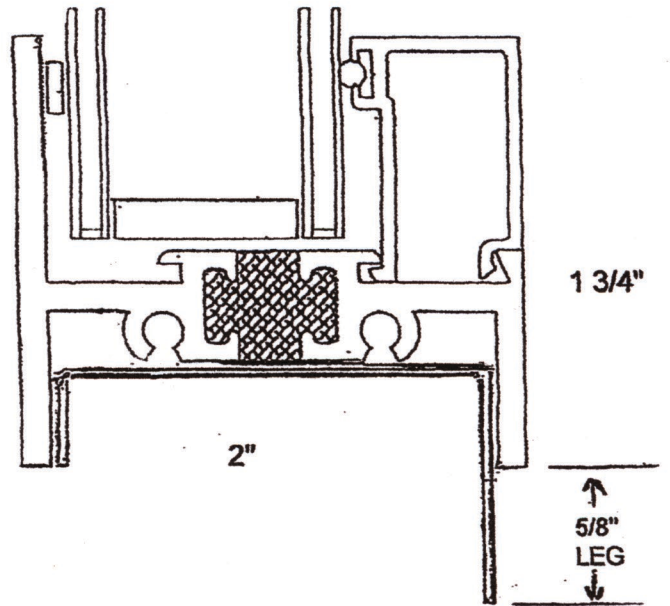
7200 SERIES COMMERCIAL WINDOW
NOT TO SCALE

5/8" LEG

7200 FIXED FRAME
HC-80 THERMAL BREAK



2" SYSTEM



1 3/4"

2"

↑
5/8"
LEG
↓



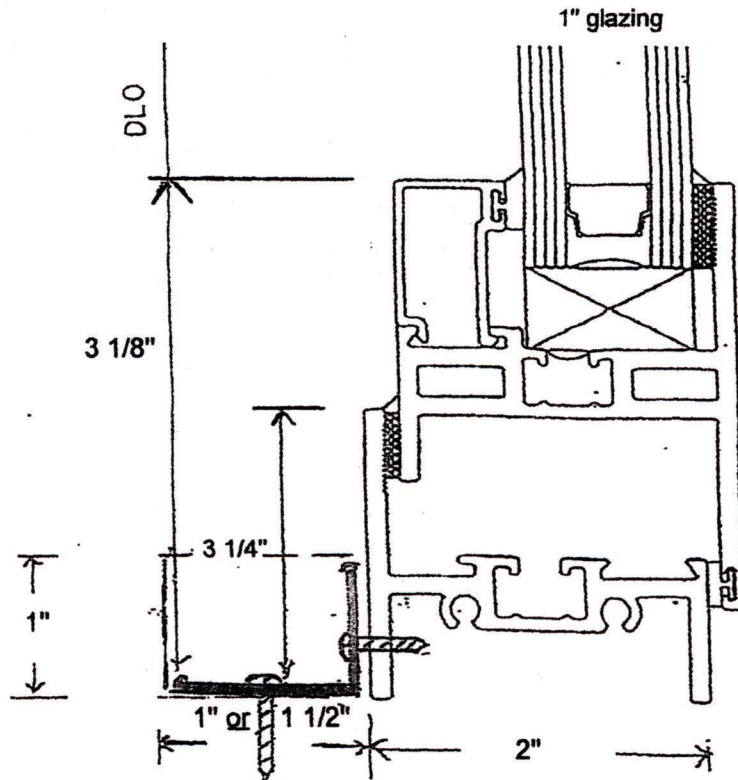
Liberty Glass & Metal Ind.

339 Riverside Dr
North Grosvenordale, CT 06255
800-843-2031
Fax: 860-923-9662

7200 series commercial window
full scale

Die # S13530 Detail # 8

INTERIOR CLIP and SNAP-CAP
SYSTEM



Interior clip & snap cap system